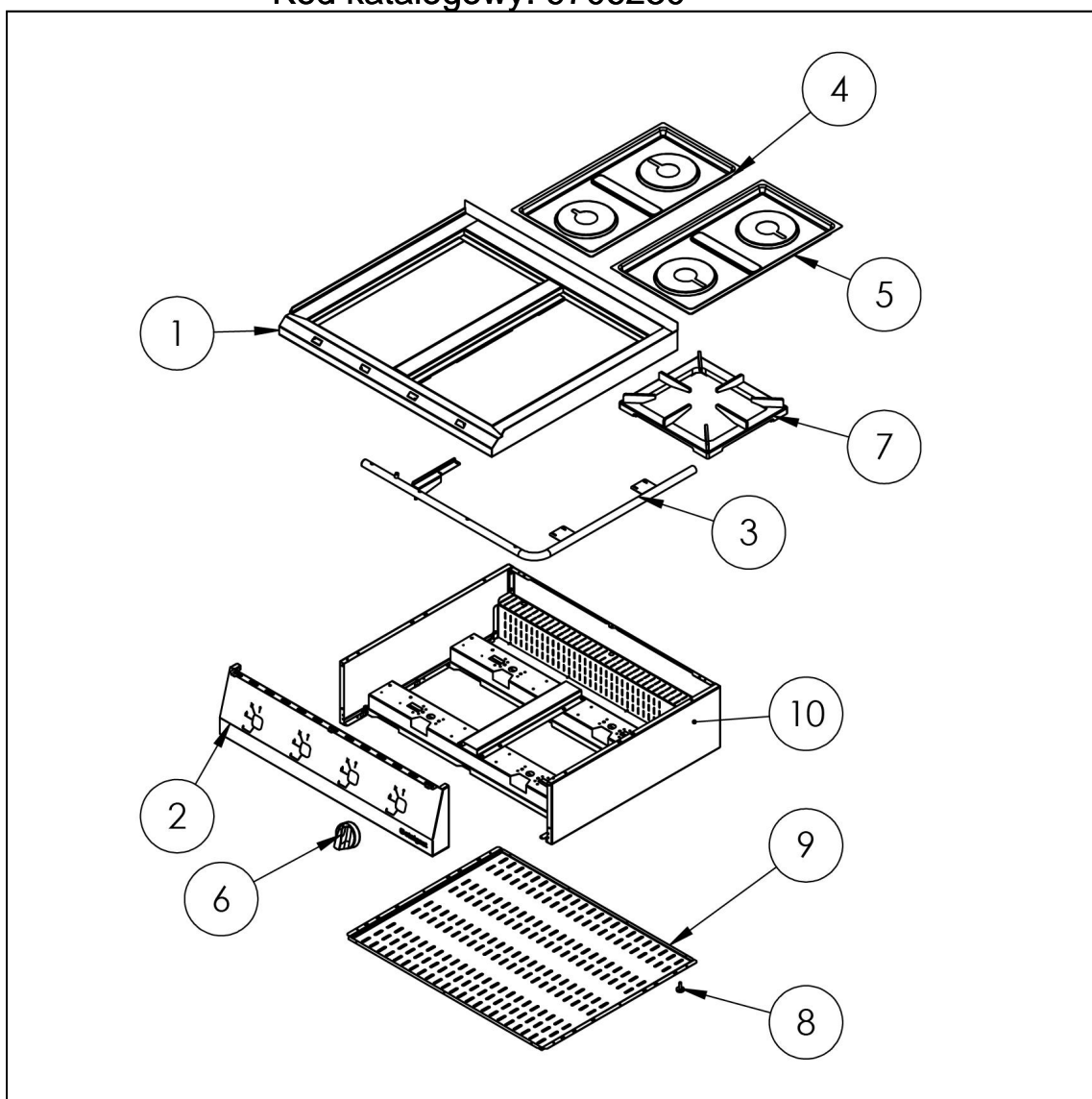
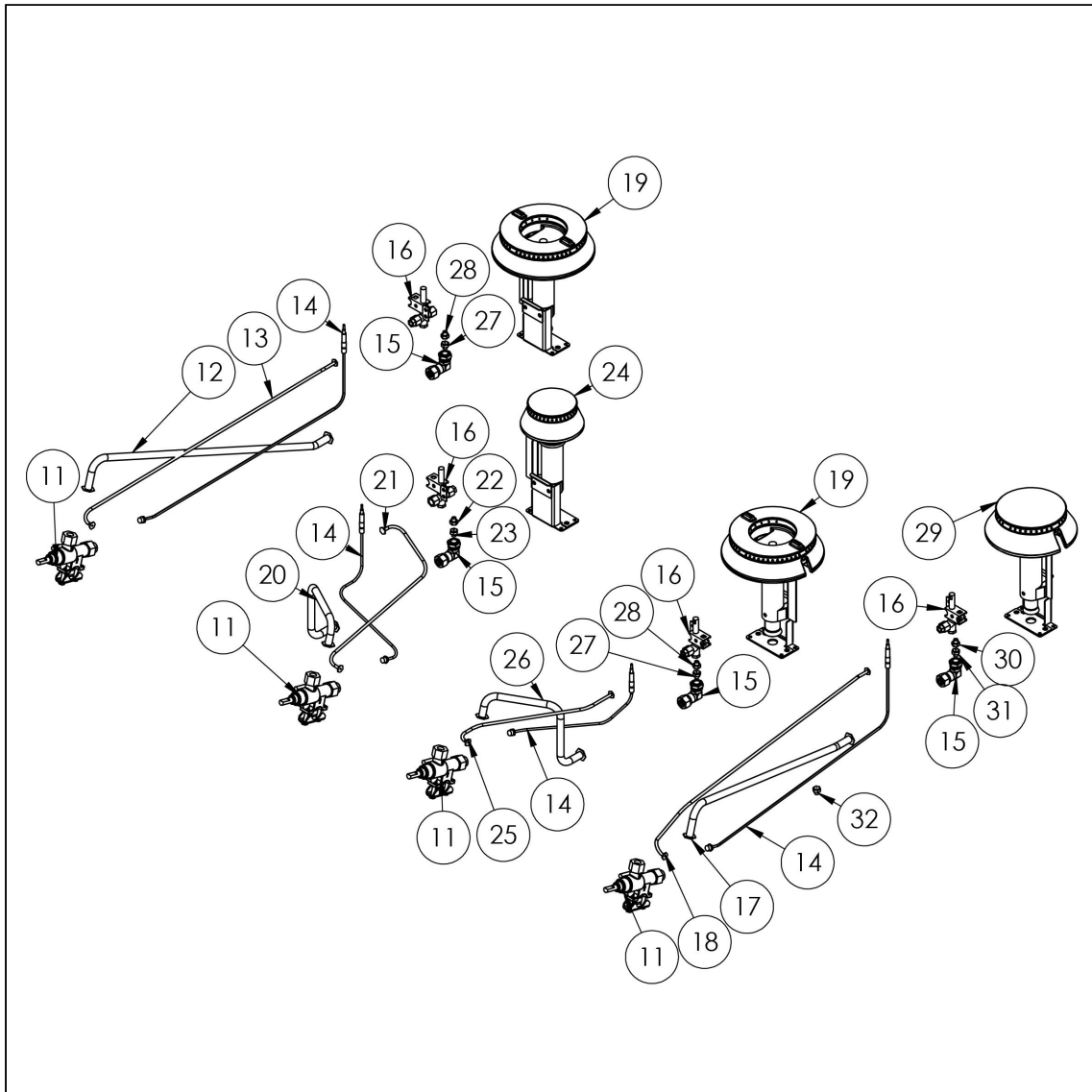
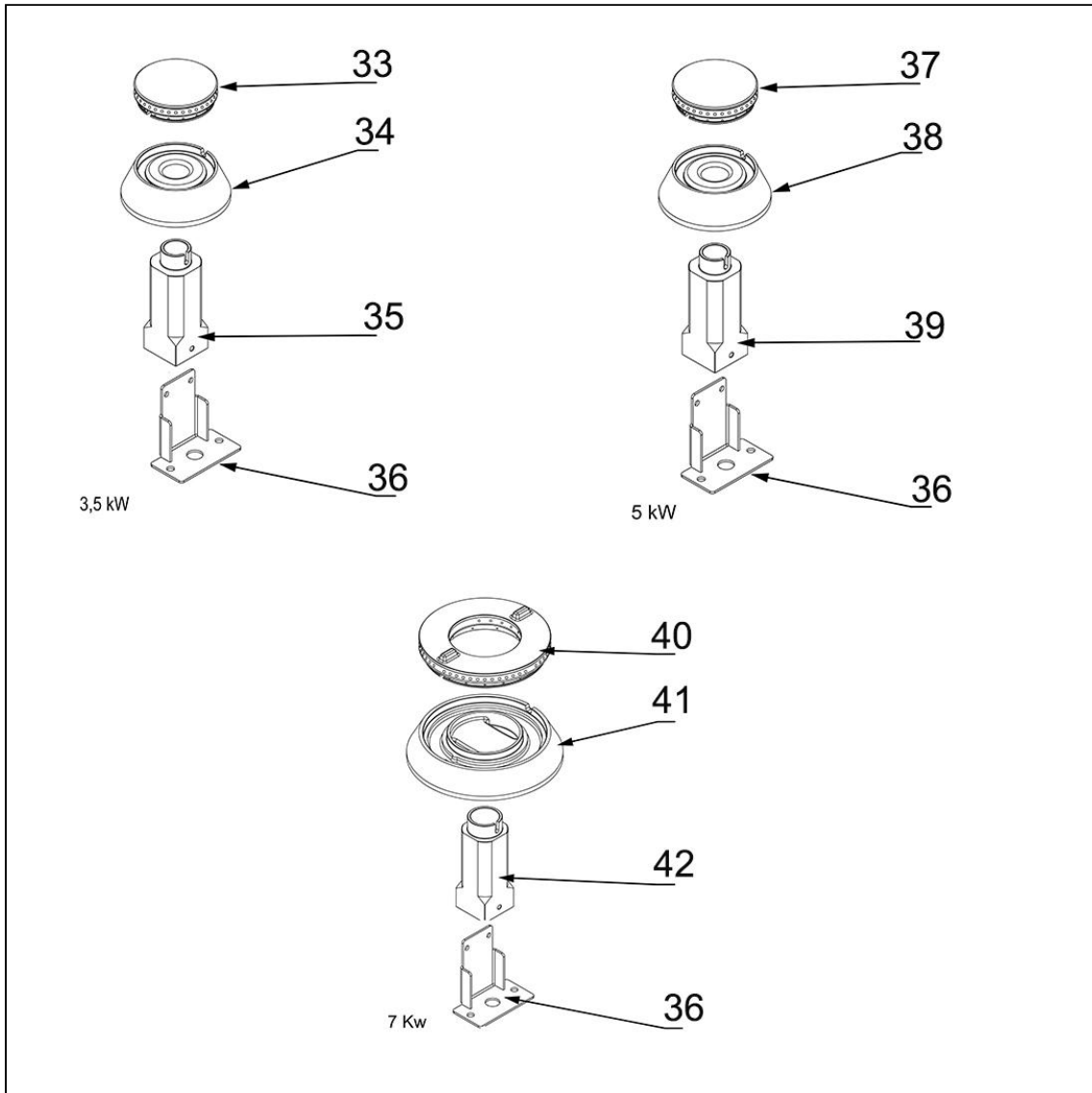


kuchnia gazowa, 4-palnikowa, nastawna, 22.5 kW, G30

Kod katalogowy: 9706230







| Nr cz ci<br>(V nr rys.-nr cz ci z rysunku) | Nazwa                        | Kod     |
|--|------------------------------|---------|
| V9706230-01                                | Blat                         | C011167 |
| V9706230-02                                | Panel przedni                | C011168 |
| V9706230-03                                | Kolektor                     | C011169 |
| V9706230-04                                | Misa lewa                    | C010871 |
| V9706230-05                                | Misa prawa                   | C010870 |
| V9706230-06                                | Pokr tło                     | C011161 |
| V9706230-07                                | Ruszt                        | C009045 |
| V9706230-08                                | Stopka                       | C010548 |
| V9706230-09                                | Oslona dolna                 |         |
| V9706230-10                                | Korpus                       |         |
| V9706230-11                                | Zawór                        | C008801 |
| V9706230-12                                | Rura miedziana fi10x1        |         |
| V9706230-13                                | Rura miedziana fi6x1         |         |
| V9706230-14                                | Termopara 600                | C008081 |
| V9706230-15                                | Kolano                       | C009080 |
| V9706230-16                                | Palnik pilota                | C008078 |
| V9706230-17                                | Rura miedziana fi10x1        |         |
| V9706230-18                                | Rura miedziana fi6x1         |         |
| V9706230-19                                | Palnik 7kW                   | C002407 |
| V9706230-20                                | Rura miedziana fi10x1        |         |
| V9706230-21                                | Rura miedziana fi6x1         |         |
| V9706230-22                                | Dysza palnika 3.5 kW PB_0.9  | C007535 |
| V9706230-23                                | Dysza palnika 3.5 kW GZ_1.35 | C007108 |
| V9706230-24                                | Palnik 3.5kW                 | C010605 |
| V9706230-25                                | Rura miedziana fi6x1         |         |
| V9706230-26                                | Rura miedziana fi10x1        |         |
| V9706230-27                                | Dysza palnika 7 kW PB_1.2    | C007537 |
| V9706230-28                                | Dysza palnika 7 kW GZ_2.0    | C007720 |
| V9706230-29                                | Palnik 5kW                   | C010849 |
| V9706230-30                                | Dysza palnika 5 kW GZ_1.7    | C006358 |
| V9706230-31                                | Dysza palnika 5 kW PB_1.05   | C007536 |
| V9706230-32                                | Dysza palnika pilota GZ_0.41 | C010906 |
| V9706230-33                                | Korona palnika 3.5kW         | C009051 |
| V9706230-34                                | Korpus palnika 3.5kW         | C009052 |
| V9706230-35                                | In ektor 3.5kW               | C009092 |
| V9706230-36                                | Wspornik podstawy dyszy      | C009079 |
| V9706230-37                                | Korona palnika 5kW           | C009053 |
| V9706230-38                                | Korpus palnika 5kW           | C009054 |
| V9706230-39                                | In ektor 5kW                 | C010161 |
| V9706230-40                                | Korona palnika 7kW           | C009040 |
| V9706230-41                                | Korpus palnika 7kW           | C009027 |
| V9706230-42                                | In ektor 7kW                 | C009168 |