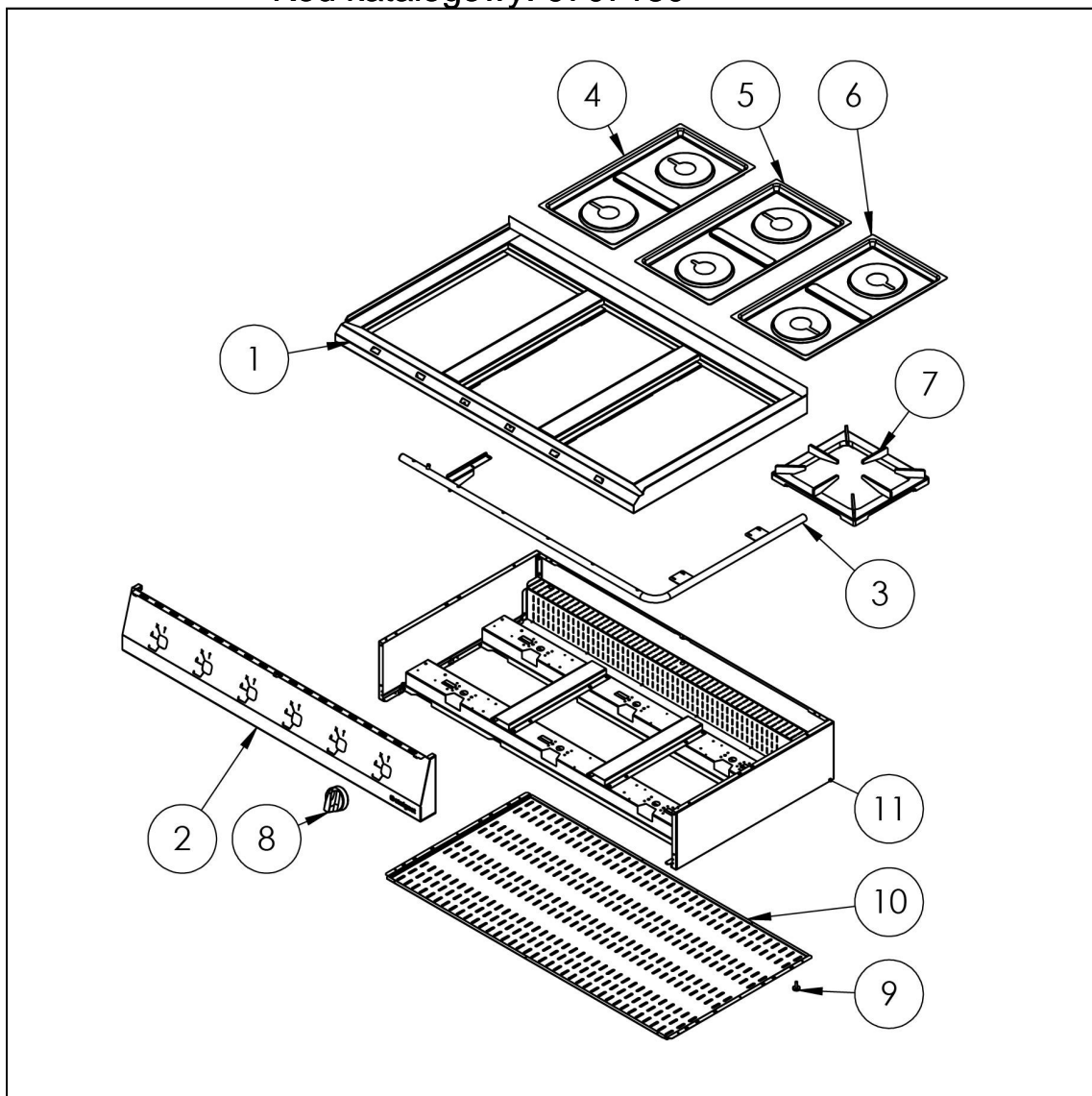
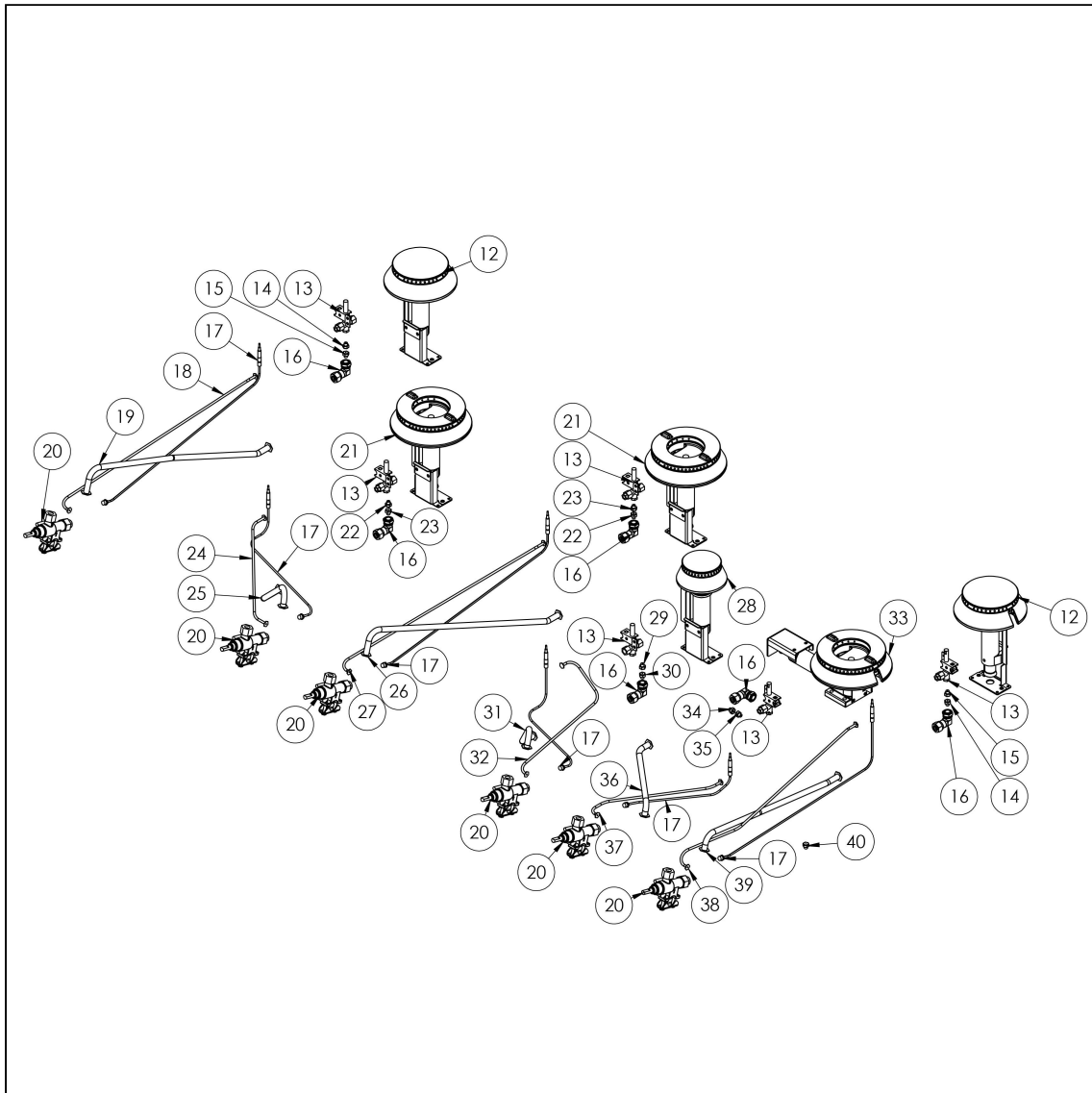
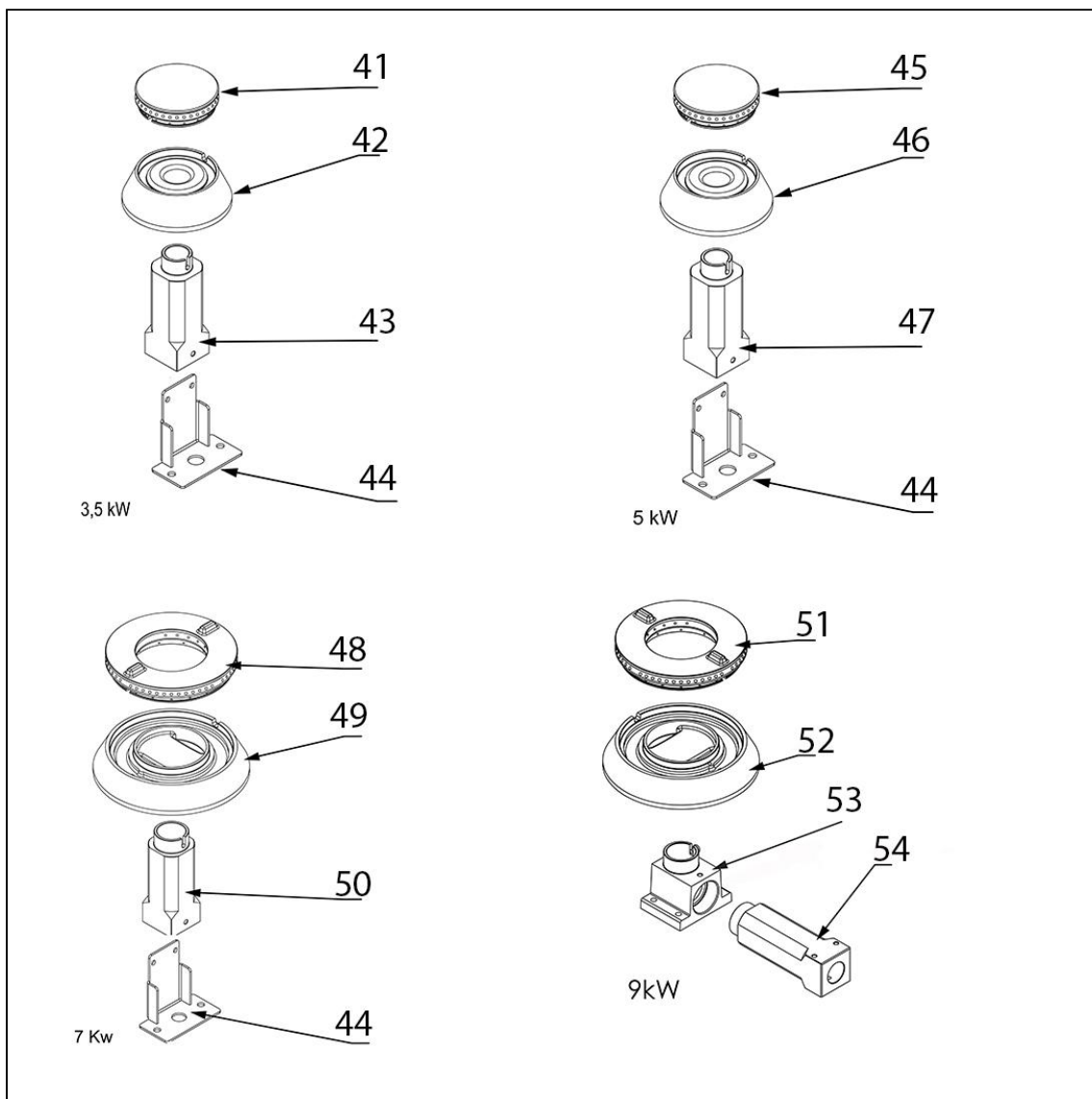


kuchnia gazowa, 6-palnikowa, nastawna, 32.5 kW, G30

Kod katalogowy: 9707130







| Nr cz ci (V nr rys.-nr cz ci z rysunku) | Nazwa | Kod |
|--|----------------------------------|---------|
| V9707130-01 | Blat | |
| V9707130-02 | Panel przedni | |
| V9707130-03 | Kolektor | |
| V9707130-04 | Misa lewa | C010870 |
| V9707130-05 | Misa rodkowa | C011160 |
| V9707130-06 | Misa prawa | C010501 |
| V9707130-07 | Ruszt | C009045 |
| V9707130-08 | Pokr tło | C011161 |
| V9707130-09 | Stopka | C010548 |
| V9707130-10 | Oslona dolna | |
| V9707130-11 | Korpus | |
| V9707130-12 | Palnik 5kW | C010849 |
| V9707130-13 | Palnik pilota | C008078 |
| V9707130-14 | Dysza palnika 5 kW GZ 1.7 | C006358 |
| V9707130-15 | Dysza palnika 5 kW PB 1.05 | C007536 |
| V9707130-16 | Kolano | C009080 |
| V9707130-17 | Termopara 600 | C008081 |
| V9707130-18 | Rura miedziana fi6x1 | |
| V9707130-19 | Rura miedziana fi10x1 | |
| V9707130-20 | Zawór | C008801 |
| V9707130-21 | Palnik 7kW | C002407 |
| V9707130-22 | Dysza palnika 7 kW GZ 2.0 | C007720 |
| V9707130-23 | Dysza palnika 7 kW PB 1.2 | C007537 |
| V9707130-24 | Rura miedziana fi6x1 | |
| V9707130-25 | Rura miedziana fi10x1 | |
| V9707130-26 | Rura miedziana fi10x1 | |
| V9707130-27 | Rura miedziana fi6x1 | |
| V9707130-28 | Palnik 3.5kW | C010605 |
| V9707130-29 | Dysza palnika 3.5 kW PB 0.9 | C007535 |
| V9707130-30 | Dysza palnika 3.5 kW GZ 1.35 | C007108 |
| V9707130-31 | Rura miedziana fi10x1 | |
| V9707130-32 | Rura miedziana fi6x1 | |
| V9707130-33 | Nie dotyczy tego modelu produktu | |
| V9707130-34 | Nie dotyczy tego modelu produktu | |
| V9707130-35 | Nie dotyczy tego modelu produktu | |
| V9707130-36 | Rura miedziana fi10x1 | |
| V9707130-37 | Rura miedziana fi6x1 | |
| V9707130-38 | Rura miedziana fi6x1 | |
| V9707130-39 | Rura miedziana fi10x1 | |
| V9707130-40 | Dysza palnika pilota GZ 0.41 | C010906 |
| V9707130-41 | Korona palnika 3.5kW | C009051 |
| V9707130-42 | Korpus palnika 3.5kW | C009052 |
| V9707130-43 | In ektor 3.5kW | C009092 |
| V9707130-44 | Wspornik podstawy dyszy | C009079 |
| V9707130-45 | Korona palnika 5kW | C009053 |
| V9707130-46 | Korpus palnika 5kW | C009054 |
| V9707130-47 | In ektor 5kW | C010161 |
| V9707130-48 | Korona palnika 7kW | C009040 |
| V9707130-49 | Korpus palnika 7kW | C009027 |
| V9707130-50 | In ektor 7kW | C009168 |
| V9707130-51 | Nie dotyczy tego modelu produktu | |
| V9707130-52 | Nie dotyczy tego modelu produktu | |
| V9707130-53 | Nie dotyczy tego modelu produktu | |
| V9707130-54 | Nie dotyczy tego modelu produktu | |